



Item # 60031

UV Filter Light

Questions, problems, missing parts?

Before returning to your retailer, call our customer service department at

1-866-728-6187, 9 a.m. – 5 p.m. EST, Monday – Friday or e-mail us at customerservice@srg-usa.com

Please have the model number available.

Parts List

Part #	Description	Quantity
1	Light bulb	1
2	Inlet / outlet	2
3	Housing	1

Tools Required for Assembly

- No tools required

* The pump and tubing are not included

Product Description

The UV18 Filter Light is designed for water clarification of small ponds and fountains. For best results the UV18 should be used in combination with a mechanical and/or biological filter. Biological Filter, Model # BF1000 is recommended for optimal performance.

⚠ IMPORTANT SAFETY INSTRUCTIONS

- **WARNING** --To reduce the risk of electrical shock, connect only to a properly grounded, grounding type receptacle.
- **DANGER** – To avoid possible electric shock, special care should be taken as water is employed in the use of this equipment. For each of the following situations, do not attempt repairs yourself, call customer service to find and authorized service facility, or discard the product.
 1. If the product falls into water, DO NOT reach for it. First, unplug the product, and then retrieve it.
 2. If any of the electrical components become wet, unplug the product immediately.
 3. Do not operate any product with a damaged cord or plug, or if it is malfunctioning or damaged in any way.
 4. Always unplug the product before putting on or taking off parts, before cleaning or when not in use.
 5. Read and follow all the important notices and warnings on the product.
 6. This product should only be connected to a power outlet protected by a Ground Fault Circuit Interrupter (GFCI).
 7. To prevent electrical shock, do not use the UV filter if the quartz tubing around the bulb is broken. Immediately unplug the appliance, contact customer service, or discard the unit.
 8. Keep these instructions for future use.

Caution

- UV light may cause irritation to the skin and/or eyes. Avoid exposure.
- Prolonged, or repeated exposure to UV light may have adverse effects, including severe skin and eye damage. Seek immediate medical attention for over exposure to UV radiation.
- Keep the power cord away from high temperatures or other heat sources.
- Do not lift the light or the transformer by its power cord.
- This light is not intended to be used in swimming pools or hot tubs.

PREPARATION

Before beginning assembly, remove all the parts from the carton. Compare the parts with the parts list above. If any part is missing or damaged, do not attempt to assemble or use the product. Contact customer service for a replacement.

- Estimated Assembly Time: 15 minutes.
- No tools are required for assembly

Assembly Instructions

IMPORTANT NOTE: This product is designed to prohibit operation unless it is fully assembled with the bulb base screwed completely into the housing. UV rays are harmful to the eyes and skin. Do not attempt to operate this product unless the bulb is completely assembled within the light housing.

1. Remove the UV Light from the carton and untie the power cord.
2. The UV18 should be placed ahead (in front) of any mechanical or biological filter. This is done so that the water passes through UV light first before entering the filter. This way the UV 18 will kill bacteria before it enters the filter.
3. Connect one end of the UV18 to the tubing coming from the pump. Utilize 1 in., 1 ¼ in. or 1 ½ in. tubing (not included).
4. Connect tubing to the outlet of the UV18 and attach the other end of the tubing to a mechanical or biological filter. (If using recommended filter BF1000, you can connect UV 18 light with attachments straight on the filter as shown on illustration).
5. DO NOT submerge the light. Place it in a clean, dry area.
6. Connect the power cord to the power outlet protected by a Grounded Fault Circuit Interrupter (GFCI).
7. The product is to be operated within a temperature range of 32°F - 95°F (0°C - 35°C).

NOTE: A see-through pin is mounted on top of the housing to determine if the UV bulb is operating.

CARE AND MAINTENANCE

UV light is invisible. The sterilizing power of the UV light should not be judged by observation. Normally, UV bulbs should be replaced after 4,000 hours of operation.

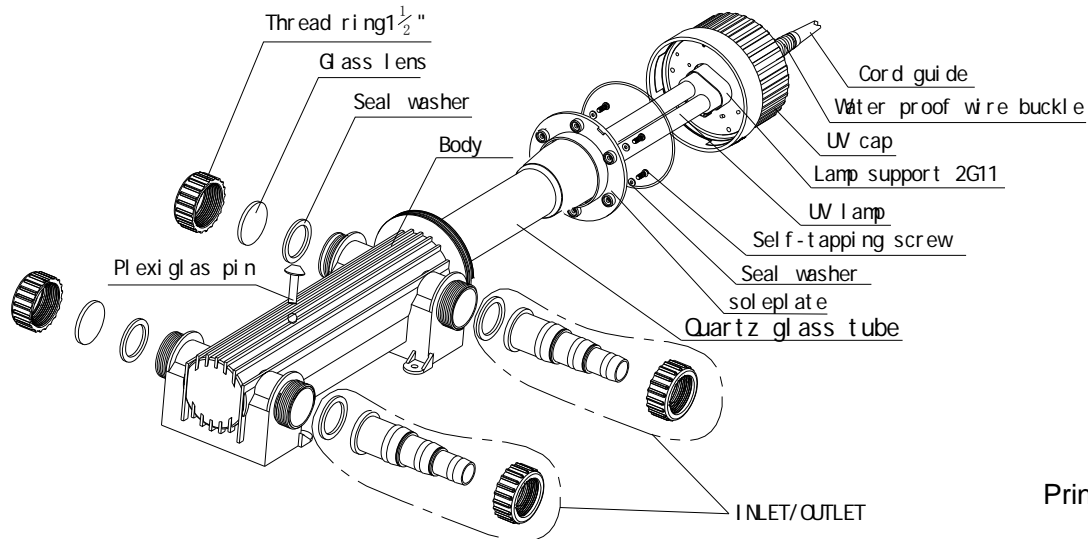
To replace the bulb:

1. Unplug the unit from the power outlet.
2. Allow the light to cool. Disassemble the UV Filter Light as shown in Fig.1.
3. Remove the bulb with approved UV bulbs only.
4. Replace the new bulb into the socket and place it back into the light housing.
5. Reassemble the bulb before connecting the unit back to the power outlet.

Troubleshooting

If the light fails to operate:

- Make certain the power cord is plugged into a power outlet.
- Make certain the UV cap is screwed completely on to the unit. **NOTE:** This product is prohibited operation unless it is fully assembled with the UV cap screwed completely onto the body.
- Make certain the bulb has not burned out. Replace the bulb as necessary or after every season. Contact customer service at 1-866-432-5867 for replacement bulbs.



Printed in China