



Item #60030

Biological Filter (Model # BF1000)

Questions, Problems, Missing Parts?

Before returning to your retailer, call our customer service department at 1-866-728-6187, 9 a.m. – 5 p.m. EST, Monday – Friday or e-mail us at customerservice@srq-usa.com
Please have your model number available

Parts List

Part #	Description	Quantity
1	Filter box	1
2	Filter lid	1
3	Water level indicator	1
4	Filter pads	3
5	Filter basket	1
6	Bio balls	14
7	Inlet parts	1
8	Outlet parts	1
9	Connector	2
10	Plug	1
11	O-ring	4
12	Sealing cap	1
13	Retainer	2
14	Over flow	1
15	Washer 1	1
16	Washer 2	1
17	Connector Plug	2

No Tools Required for Assembly

- Pump – Model # PP2000 recommended (not included)
- UV clarifier – Model # UV18 recommended (not included)
- Tubing – 1in. ID minimum (not included)

Warnings

- Use this filter only for the purpose for which it is intended, observing the provided safety precautions. The user is solely responsible for any immediate or consequential damages caused by improper use. Do not operate the device if the connections or housing appear defective in any way.
- Do not operate the filter if the connections of housing appear defective in any way.
- Always disconnect electrical devices from the power source before beginning any cleaning or maintenance on the device.
- The filter must not be used in chlorinated water (not including normal water), acidic or alkaline solutions. The filter is not designed for use in salt-water.

Cautions

- Before start-up, please read this instruction manual and follow the information provided.

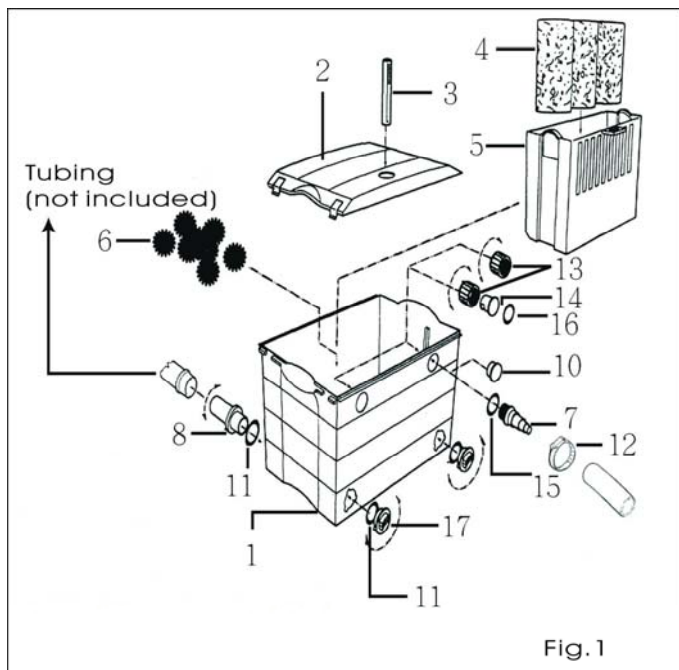
Assembly and Operation Instructions

Estimated Assembly Times: 15 minutes

1. Check contents with parts list to make sure all parts are present. Place the filter on a horizontal surface.
2. Assemble all parts (depending on the type and equipment of your filter system) as shown in Fig.1. The BF1000 is designed as a modular filter system with the capability to increase filtration for larger ponds by combining additional BF1000 modules (See Fig. 2).
3. Connect the pond pump, (Lowe's item # 59892 recommended - Model # PP2000), to the filter inlet (7), or UV clarifier (Lowe's Item # 60031- Model #UV18 (not included), if used. The pump is connected using a 1, 1-¼ in. or 1- ½ in. tube.
4. Start up the pump according to the pump's safety instructions. The filter is to be used directly at a pond, the start of a streamlet, etc.
5. To ensure optimum performance, operate the filter in combination with the UV clarifier. (See Fig. 2 for mounting the clarifier).
6. The filter system should run at all times during the season.

Care and Maintenance

- Clean the filter system at regular intervals. The filter for coarse particles (4) should always be cleaned when visibly dirty. To clean it, open the sealing cap (12) and remove the filter outlet (8). Then seal the filter outlet (8) with the sealing cap (12). Also remove all filter baskets (5). Rinse the filter boxes with a garden hose. The dirt is rinsed out through the opening below the filter inlet. When you are finished cleaning, re-insert the filter baskets and mount the sealing cap and filter outlet on the original openings. Make sure that the seals are properly closed.
- You should also clean the sponges used in the filter baskets (5) when they become dirty. Use the water-level indicator (3) as a guide to determine the cleanliness of the water. As dirt accumulates, the water level in the filter boxes rises to the maximum height of the emergency overflow (14). If the level of the emergency overflow is reached, the water is returned unfiltered back into the pond.
- The bio-balls (6) should only be cleaned if they are extremely dirty, since beneficial bacteria settle on these parts and would have to settle again if they cleaned.



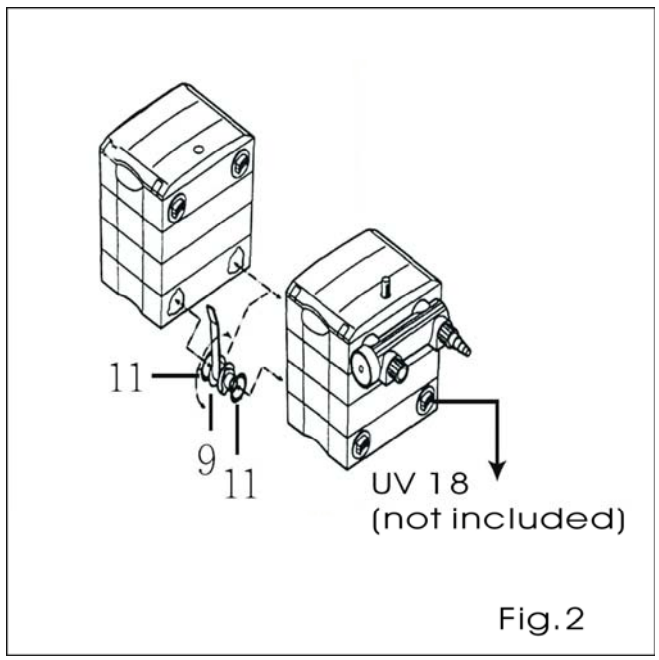


Fig.2