



Rock Pool Stone Finish with PVC Basin

Item # 229622

Model # F50466BA



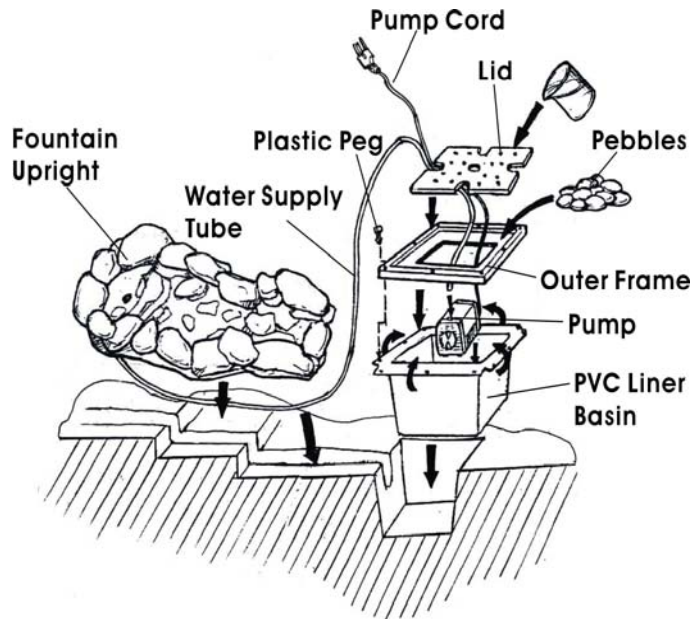
Questions, Problems, Missing Parts? Before returning to retailer, call our customer service department at 1(866) 728-6187 from 9 a.m. – 5 p.m. EST, Monday – Friday, or email us at customerservice@srg-usa.com.

Parts List

Description	Quantity
PVC Liner Basin	1
Water Supply Tube	1
Lid	1
Outer Frame	1
Pump	1
Plastic Peg	8
Fountain Upright	1
Pebbles	8.8 lbs

Tools Required for Assembly

Shovel (not included)



Warnings and Cautions

Warnings

- To reduce the risk of electric shock, connect only to a Ground Fault Circuit Interrupter (GFCI) outlet.
- Do not exceed the voltage shown on the pump.
- Always disconnect the pump from the power source before beginning any maintenance or work on the pump or fountain.
- Inspect the power cord for damage before installation and/or maintenance. Replace the entire pump if damage is found.
- Do not remove the grounding pin from the power cord plug.

Cautions

- Do not install the fountain within 10 ft of a pool or spa. If the pump is connected to a Ground Fault Circuit Interrupter (GFCI) protected circuit, the fountain can be installed no less than 5 ft from a pool or spa.
- Use the pump only with portable, self-contained fountains no larger than 5 ft in any dimension.
- Use a proper power source as indicated on the pump label. Keep the cord away from high temperature and/or heat sources.
- Do not lift the pump by its power cord.
- Do not leave children unattended around fountain.
- Do not let the pump run dry. Pump must be completely submerged for proper operation and cooling.
- Do not pump heated liquids.
- Operate with freshwater only. Avoid heavily chlorinated water and water with high pH levels.

Fountain Assembly Instructions

1. Unpack the contents of the box and check to make sure all items are accounted for and in good condition.
2. Choose a suitable location and dig a rectangular hole approximately 13.78 in long, 11.02 in wide, and 15.75 in deep. And make sure that the bottom is as large as the top. Remove any rocks or sharp objects that could puncture the PVC Liner Basin (Fig.1).
3. Place PVC Liner Basin into the hole and check the fit. The PVC Liner Basin should fill the hole completely, without extra space on any side. Unfold the edges so that they lay flat on the surface of the ground (Fig. 2).

- Place the Outer Frame on the top of the edges of the PVC Liner Basin so that it is centered on the hole (Fig. 3). Fold the edges of the PVC Liner Basin onto the Outer Frame (Fig. 4). Align the holes in the edges of the PVC Liner Basin with the holes in the Outer Frame and use the Plastic Pegs to secure the PVC Liner Basin (Fig. 5).
- Attach one end of the Water Supply Tube onto the bottom of the Fountain Upright and the other end onto the Pump outlet. Place the Pump in the desired location in the PVC Liner Basin (Fig. 6).
- Route Water Supply Tube and the Pump power cord out through the hole in the edge of the Lid and then place the Lid on the Outer Frame (Fig. 6).
- Place the Fountain Upright in the desired location. Dig a groove to lay the Water Supply Tube. (Note: Do not pinch the Water Supply Tube). Fill the PVC Liner Basin with clean water. The water level should be approximately 1.18 in below the underside of the Lid. For beautification, place pebbles on the Lid (Fig. 7).
- Plug the Pump power cord into a properly grounded receptacle. The fountain will begin to work (Fig. 8).
- Pull the plastic peg out as the arrowhead indicates on its cap when you need to remove the PVC liner Basin (Fig. 9).

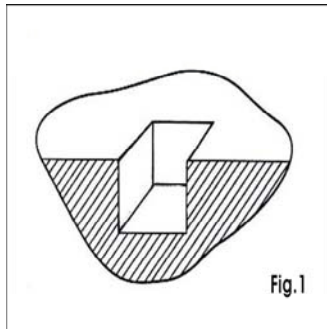


Fig.1

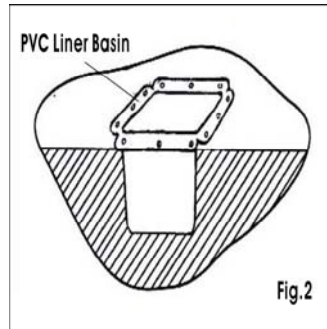


Fig.2

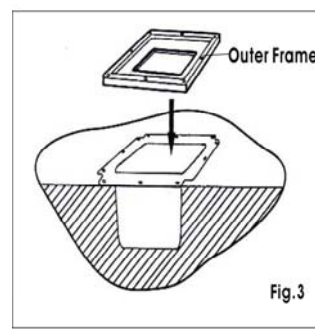


Fig.3

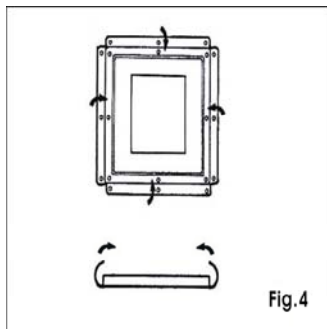


Fig.4

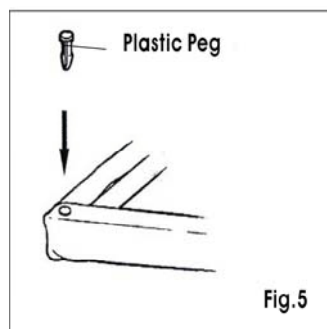


Fig.5

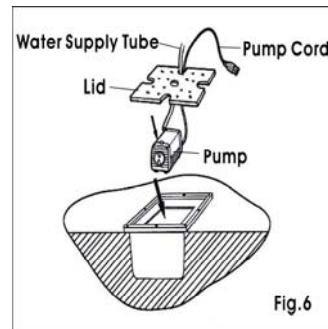


Fig.6

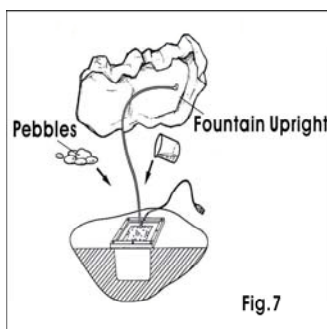


Fig.7

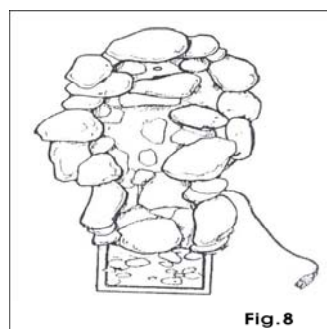


Fig.8

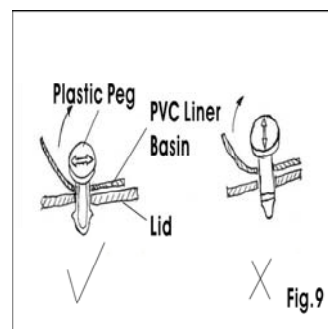


Fig.9

Pump Assembly Instructions

- Remove the pump from the package and untie the power cord.
- Place the pump in the desired location in your pond or fountain, ensuring that it is completely submerged in the water. If the pump is to be used in a pond, raise the pump off of the pond floor to ensure that it is above any dirt that will collect as this will adversely affect the performance of the pump.
- Adjust the flow rate (if applicable) to the maximum (+) position.
- Connect the power cord from the pump to a properly grounded receptacle (GFCI).
- If necessary, readjust the flow rate to the desired level. Remember to always disconnect from the power source before handling the pump).

Care and Maintenance

- Keep the water clean. Using clean water will reduce mineral deposits and improve water clarity.

2. Add clean water periodically to ensure that the pump is fully submerged.
3. Use a filter on your pump if available.
4. Regular cleaning of the pump will be necessary depending upon the environment in which it is operated. Clean the pump when it is visibly soiled or when a drop in performance is detected. Failure to clean the pump will result in overheating of the pump and voiding of the warranty.
5. Before cleaning, always disconnect the pump from the power source. Do not use harsh chemicals when cleaning, as this will damage the finished surface and void the warranty.
6. Disassemble the pump by removing the inlet screen and the impeller housing. Remove the impeller/rotor assembly by gently pulling on the impeller blades. Use a soft cloth or brush to clean the area inside of the pump where the impeller/rotor assembly was. Clean the inlet screen, impeller housing and impeller in warm, soapy water. Reassemble the pump and inspect for proper operation.
7. Disconnect the power and empty the basin if the fountain will not be used for an extended time.
8. If installed outdoors and in a freeze area of the country, ensure that all water is removed and the unit is completely dry. This product is NOT to be operated below 41° F or freeze damage may occur.

Troubleshooting

1. Ensure that the pump's flow control switch is set to maximum (+) before operating. Once the flow is established, the pump can be adjusted to the desired level.
2. If the pump operates but there is no flow, check to ensure the pump is fully submerged.
3. If the pump operates but there is no flow, check the supply tubing for kinks and correct.
4. If the pump operates but there is no flow, and if the pump is submerged and there are no kinks in the supply tubing, lift the pump from the water. Remove supply tubing at pump outlet and clean tubing inside and out if necessary. Place the pump back into the water (outlet side up). Once water begins to flow, re-attach the supply tubing.

Pump is replaceable with model # PT-505. Call Customer Service for replacement parts.

SAVE THESE INSTRUCTIONS!

Each Garden Treasures product may have variations in texture, finish and appearance from one unit to the next. This enhances the beauty of the product and makes your Garden Treasures product uniquely individual. Some products and finishes are intentionally weathered or worn in appearance for aesthetic design.

1- Year Limited Warranty

(Valid in USA and Canada only)

Peaktop warrants this product to be free from defect in material and workmanship for a period of one year from the date of original retail purchase and as set forth below.

Repair/ Replacement Warranty: Pursuant to this Limited Warranty, Peaktop will, at its option,(i) repair the product using new or refurbished parts or (ii) replace the product with a new or refurbished product. In the event of a defect, these are your exclusive remedies. For purposes of this Limited Warranty, "refurbished" means a product or part that has been returned to original specifications.

This Peaktop product warranty does not cover damage caused by misuse or abuse; accident; the attachment of any unauthorized accessory; alteration to the product; or any other conditions whatever that are beyond the control of Peaktop. This warranty is effective only if the product is purchased and operated in the USA and Canada. A product that requires modification or adaptation to enable it to operate in any country other than the country for which it was designed, manufactured, approved, and/or authorized or repair of products damaged by these modifications is not covered under warranty. Peaktop shall not be responsible for any type of incidental, consequential or special damages. All implied warranties, including but not limited to those implied warranties of fitness and merchantability, are limited in the total duration of one year from the original purchase date.

To obtain warranty service on your Peaktop product, either hand deliver or mail the unit and your dated sales receipt (as proof of purchase), freight prepaid, in either its original packaging or packaging affording an equal degree of protection to the Peaktop authorized service facility specified. For specific instructions on how to obtain warranty service for your product,

Email Peaktop : customerservice@srq-usa.com.

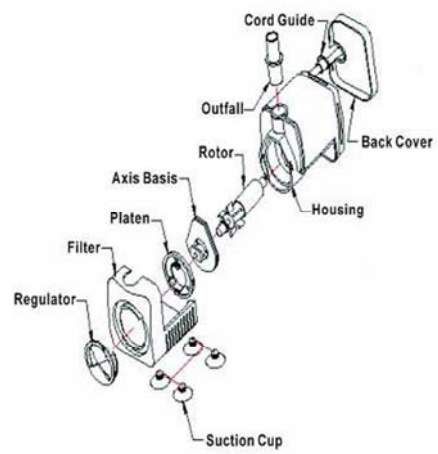
Or call the Peaktop Customer Information Service Center
866-728-6187

For an accessory or part not available from your authorized dealer, call:
866-728-6187

Upon receipt, Peaktop will repair or replace, as appropriate, your product and return it to you, postpaid.

If it is appropriate to replace your product. Peaktop will replace the product with the same product or a comparable product at Peaktop's option. Warranty is solely through Peaktop Customer Service Center. Service of this product by anyone other than Peaktop Center voids warranty.

This warranty provides you with specific legal rights. You may have additional rights, which may vary from state to state. Because of individual state regulations, some of the above limitations and exclusions may not apply to you.



Printed in China