



Item # 226390
BRICK WALL FOUNTAIN WITH SUBMERGED LIGHT



Questions, Problems, Missing Parts? Before returning to retailer, call our customer service department at 1-866-728-6187, 9a.m. – 5p.m. EST (Mon.-Sat.) or email customerservice@srg-usa.com.

Parts List

Part #	Description	Quantity
A	Fountain	1pc
B	Pump	1pc
C	Submersible Lamp	1pc
D	Transformer	1pc
E	Pump Hose	1pc
F	Reservoir	1pc

Tools Required for Assembly

- No tools required

Preparation

Before beginning assembly, read all warnings and safety precautions.

Remove parts from carton. Compare parts with parts list. If any part is missing or damaged, do not attempt to assemble or use the product. Contact customer service for replacement.

 Special Warnings

- To reduce risk of electric shock, connect only to a properly grounded outlet.
- Inspect cord for damage before installation, maintenance or use. If damage is found, replace entire pump/cord assembly.
- Do not exceed voltage shown on pump.
- Never submerge transformer under water.

Safety Precautions

1. Use proper power source as indicated on the pump label.
2. Keep cord away from high temperatures and sources of heat.
3. Keep fountain out of the reach of children.
4. If in a freeze area, remove water from base and statuette.
5. Remove and store statuette and pump indoors in freezing weather conditions.
6. Always disconnect pump from electrical outlet before handling.
7. Do not let pump run dry.
8. Do not lift pump by its power cord.
9. Do not pump heated liquids.
10. Operate in freshwater only.
11. Pump must be completely submerged for proper operation and cooling.

Care and Maintenance

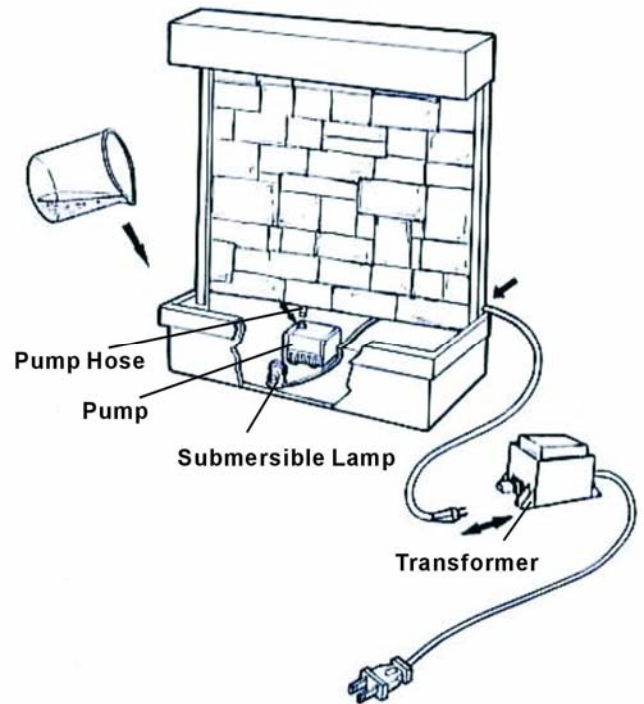
1. Keep water clean. Distilled water will reduce mineral deposits and improve water clarity.
2. Clean product periodically to prevent mineral deposits and contamination.
3. Disconnect power and empty basin if fountain will not be used for an extended time.
4. If installed outdoors and in a freeze area of the country, make certain all water has been removed from the fountain and it is dry. The product should not be operated in temperatures below 41° Fahrenheit (5° Celsius). Freeze damage could occur.
5. To eliminate possible water damage to floors and other areas around the fountain, check for leaks and excessive splashing after initial setup.
6. Place fountain in a location that will not be damaged should the area come in contact with liquids.
7. Do not leave fountain running unsupervised for extended periods of time.
8. Check areas surrounding fountain on a regular basis for leakage.

Assembly Instructions

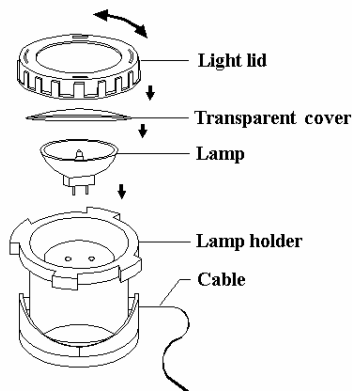
Estimated Assembly Time: Approximately 10 minutes

Note: Assemble fountain on a level surface.
Make certain all connections are secure.

1. Attach pump hose (E) to pump (B) and place the pump flat in the reservoir. Place the submersible lamp (C) in a proper place in the front of the reservoir. Run the pump cord out through the notch at the back panel.
2. Hang fountain (A) on wall using the hook on back of fountain.
3. Add clean water into the reservoir. The water level should be approx. 1" below the edge of the reservoir.
4. Attach pump cord to transformer (D), plug the transformer into an outlet. Switch on and your fountain will start to function as intended. Water will flow out from the fountain bonsai
(**Note:** To prevent splashing, wet the watering surface before using.) with light on the watering surface. You can adjust the direction of light to beautify the illumination.



Submersible Lamp Assembly Diagram



NOTE: Diagram shown is for illustrative purposes only.

Troubleshooting Guide

Problem

Pump operates, but there is no water flow.

Pump operates, but there is no water flow and pump is fully submerged and pump hose has no kinks.

Remedy

1. Make certain pump is fully submerged.
2. Make certain pump hose has no kinks.

1. Remove pump hose from pump outlet.
2. Clean pump hose.
3. Set pump in water (outlet side up).
4. Once water begins to flow, reattach pump hose.